

THROUGH CONDUIT BIDIRECTIONAL KNIFE GATE VALVE PN10 S-GATE



ISO 9001 : 2015

Certificate 3.1

- Size :** DN 50 to DN 600
- Ends :** Between flanges PN10
- Min Temperature :** -15°C (with EPDM seat)
- Max Temperature :** + 130°C (with EPDM seat)
- Specifications :** Rising non rotating stem, non-rising handwheel
Bidirectional tightness
Weak head loss

Materials : Cast iron body

THROUGH CONDUIT BIDIRECTIONAL KNIFE GATE VALVE PN10 S-GATE

SPECIFICATIONS :

- Opened or closed valve
- Rising non rotating stem, non-rising handwheel
- Bidirectional tightness
- Weak head loss
- Retention area limited
- Between flanges PN10
- With handwheel
- 50% epoxy 50% polyester painting blue colour RAL 5005, 150 microns thickness
- Seat EPDM (NBR on request)

USE:

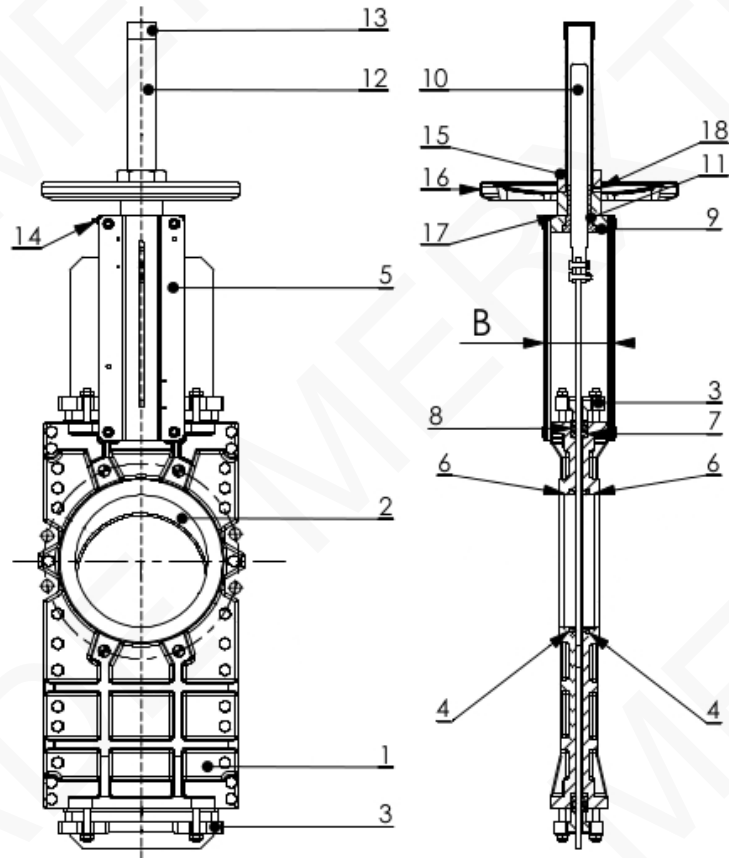
- Paper industry, water, water treatment, chemical pulp, powders, food industry, chemistry, transport, storage
- Min and max Temperature Ts : - 15°C to + 130°C with EPDM seat **Ref.179**
- Min and max Temperature Ts : - 10°C to + 90°C with option NBR seat **Ref. 179 + 9803860-9803868**

MAX PRESSURE :

DN	50	65	80	100	125	150	200	250	300	350	400	450	500	600
Ps (Bars)	10	10	10	10	10	8	8	6	6	4	4	3	3	3

THROUGH CONDUIT BIDIRECTIONAL KNIFE GATE VALVE PN10 S-GATE

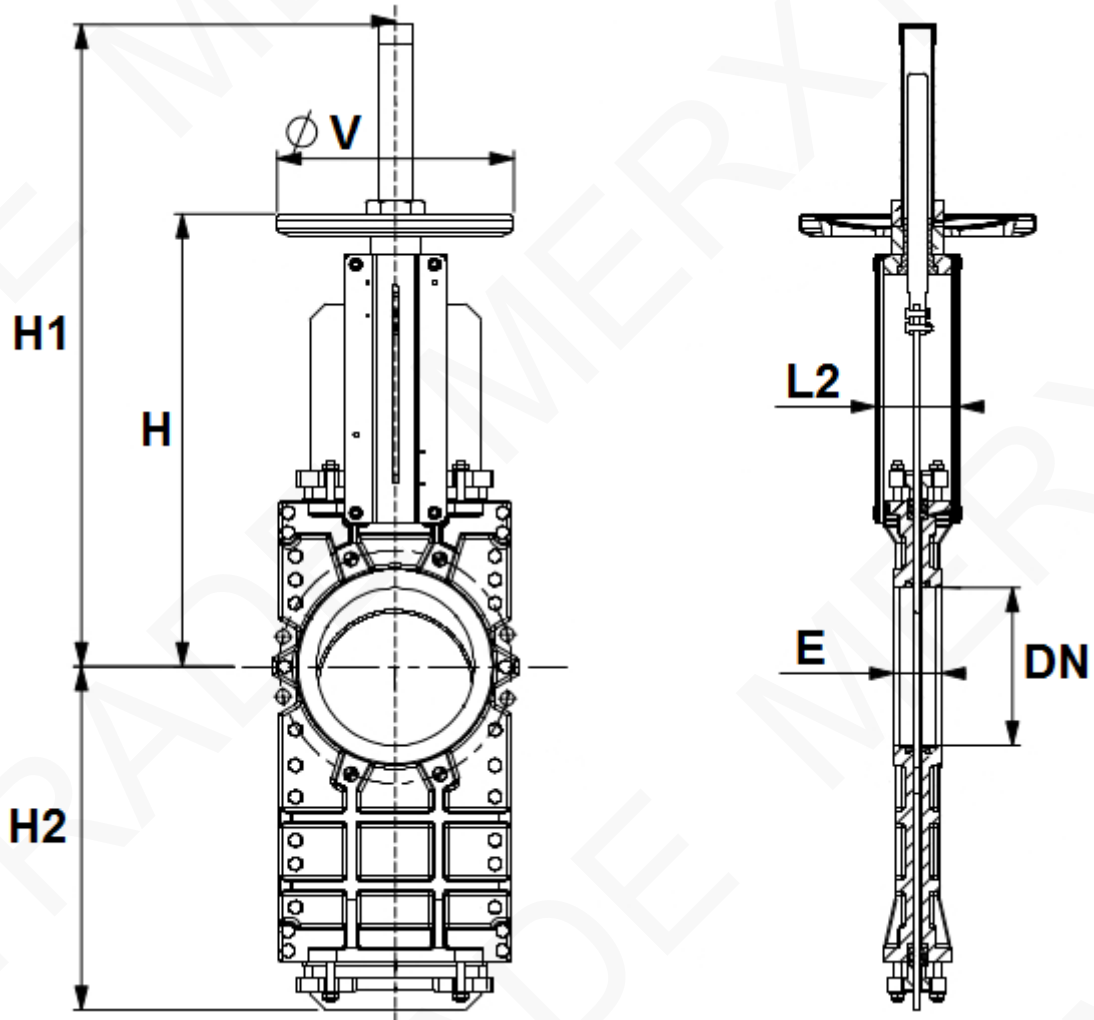
MATERIALS :



Item	Designation	Materials
1	Body	Cast iron EN GJL-250
2	Gate	AISI 304
3	Packing gland	Ductile iron EN GJS-400-15
4	Seat	EPDM
5	Support	Steel
6	Retainer	AISI 304
7	Packing (Tress)	PTFE
8	Packing (O ring)	FKM
9	Yoke	Steel
10	Stem	AISI 304
11	Stem nut	Bronze
12	Hood cover	Steel
13	Cap	Plastic
14	Greaser	Steel
15	Handwheel nut	Steel
16	Handwheel	Steel
17	Washer	Brass
18	Screw	AISI 304

THROUGH CONDUIT BIDIRECTIONAL KNIFE GATE VALVE PN10 S-GATE

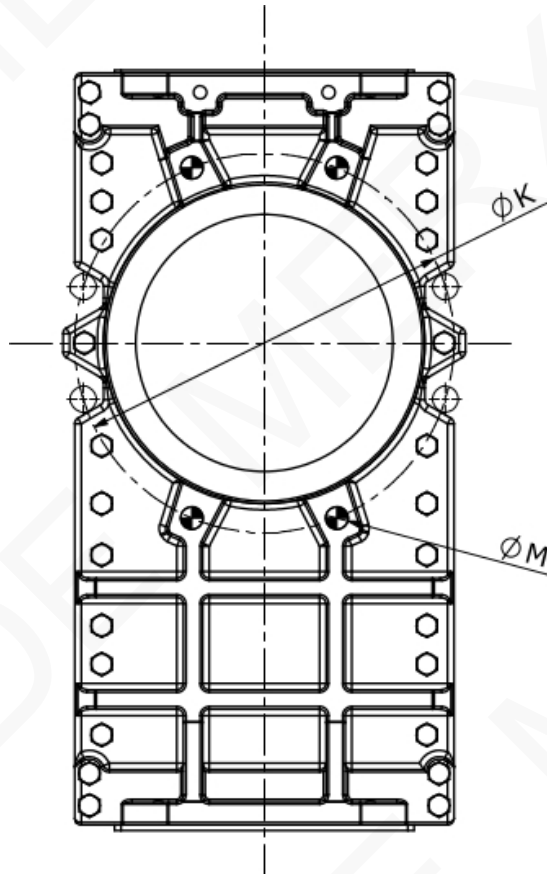
SIZE (en mm) :



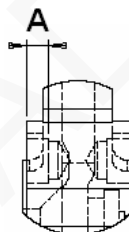
DN	50	65	80	100	125	150	200	250	300	350	400	450	500	600
E	40	40	50	50	50	60	60	70	70	96	100	106	110	110
H	295	320	346	386	420	471	582	670	754	889	964	1083	1173	1353
H1	417	442	469	509	593	644	825	1010	1094	1319	1394	1613	1703	1973
H2	225	265	305	365	430	495	630	765	895	1020	1165	1325	1450	1750
L2	92	92	92	92	102	102	120	120	120	290	290	290	290	290
Ø V	200	200	200	200	250	250	300	300	300	500	500	500	500	500
Weight (Kg)	12	13	17	19	28	38	54	96	112	163	235	368	471	532

THROUGH CONDUIT BIDIRECTIONAL KNIFE GATE VALVE PN10 S-GATE

SIZE FIXING VALVE THREADED HOLES (BETWEEN FLANGES PN10 in mm) :



THREADED HOLES LENGHT:



DN	50	65	80	100	125	150	200	250	300	350	400	450	500	600
Ø K	125	145	160	180	210	240	295	350	400	460	515	565	620	725
Ø M	M16	M16	M16	M16	M16	M20	M20	M20	M20	M20	M24	M24	M24	M27
Nb threaded hole	4	4	4	4	4	4	4	8	8	12	12	16	16	16
A	8	8	10	10	10	12	12	15	15	19	20	24	24	24

THROUGH CONDUIT BIDIRECTIONAL KNIFE GATE VALVE PN10 S-GATE**STANDARDS:**

- Fabrication according to ISO 9001 : 2015
- DIRECTIVE 2014/68/EU : Products excluded from directive (Article 4, § 3)
- Certificate 3.1 on request
- Pressure test according to ISO 5208
- Between flanges PN10 according to EN 1092-2 PN10

ADVICE : Our opinion and our advice are not guaranteed and MXT shall not be liable for the consequences of damages. The customer must check the right choice of the products with the real service conditions.

THROUGH CONDUIT BIDIRECTIONAL KNIFE GATE VALVE PN10 S-GATE

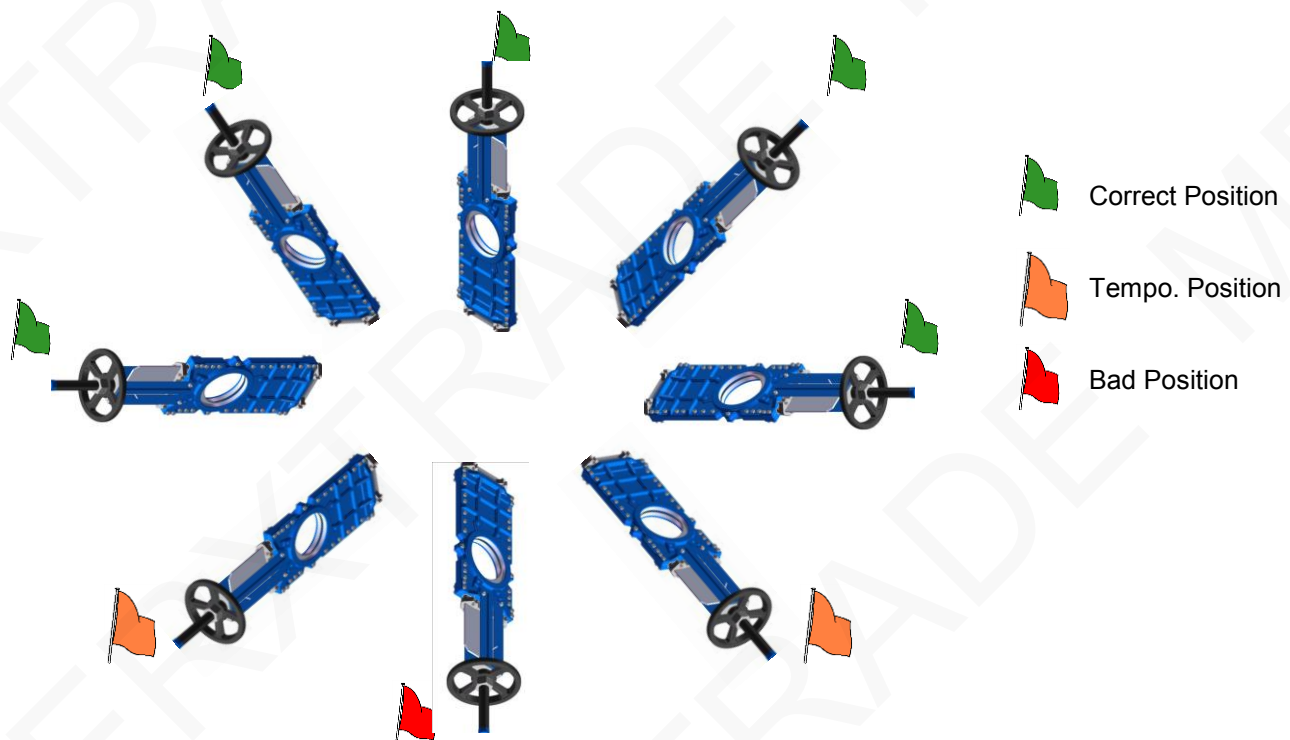
INSTALLATION INSTRUCTIONS :

GENERAL GUIDELINES :

- Ensure that the valves to be used are appropriate for the conditions of the installation (type of fluid, pressure and temperature).
- Be sure to have enough valves to be able to isolate the sections of piping as well as the appropriate equipment for maintenance and repair.
- Ensure that the valves to be installed are of correct strength to be able to support the capacity of their usage.
- **Installation of all circuits should ensure that their function can be automatically tested on a regular basis (at least two times a year).**

INSTALLATION INSTRUCTIONS :

- **Before installing the valves, clean and remove any objects from the pipes** (in particular bits of sealing and metal) which could obstruct and block the valves.
 - **Ensure that both connecting pipes either side of the valve (upstream and downstream) are aligned (if they're not, the valves may not work correctly).**
 - **Make sure that the two sections of the pipe (upstream and downstream) match, the valve unit will not absorb any gaps. Any distortions in the pipes may affect the tightness of the connection, the working of the valve and can even cause a rupture. To be sure, place the kit in position to ensure the assembling will work.**
 - **If sections of piping do not have their final support in place, they should be temporarily fixed. This is to avoid unnecessary strain on the valve.**
 - During installation operation, do not carry the valves by the handwheel.
- Valves can be installed in all positions but we recommend the above positions



THROUGH CONDUIT BIDIRECTIONAL KNIFE GATE VALVE PN10 S-GATE**INSTALLATION INSTRUCTIONS (SUITE) :**

- If the valve is installed at the end of the pipe, it must be between 2 flanges.
- Tighten the bolts in cross. For blind holes, use studs to have a good tightening and tighten them carefully so that they don't touch the gate.
- During cleaning operation, the valves must be opened.
- Tests must be done with cleaned installation and pipe.
- Test must be done with partially opened valve. Test pressure must not exceed valve specification according to EN 12266-1.
- Open carefully the valve.
- Tighten the gland packing at the first start of the installation (with a moderate torque) so that there's no leakage and the handwheel is easy to operate. Make sure there's no contact between the gate and the gland.
- Keep greased the stem.
- It's recommended to operate the valve (open and close) 1 time per month